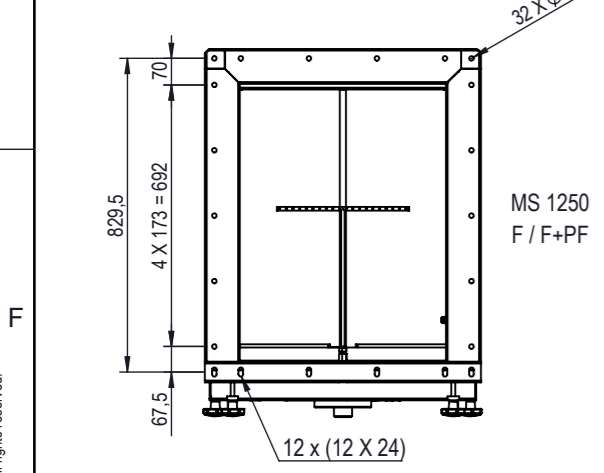
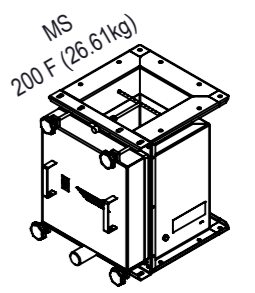
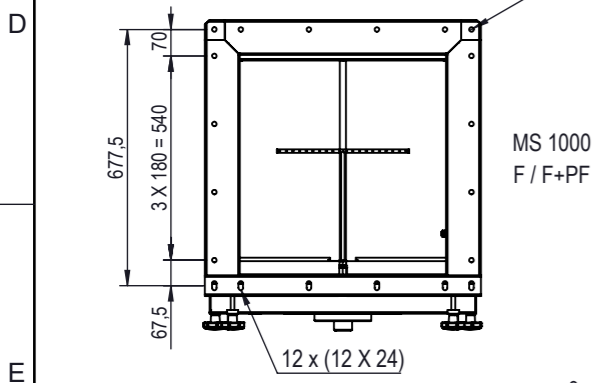
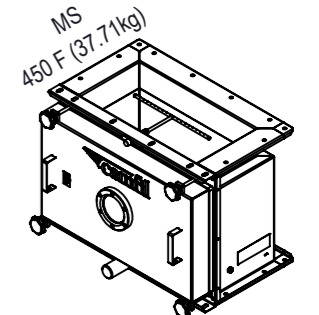
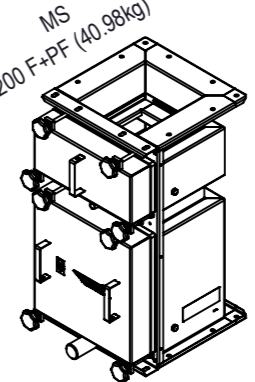
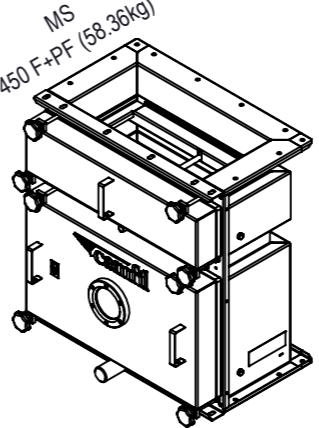
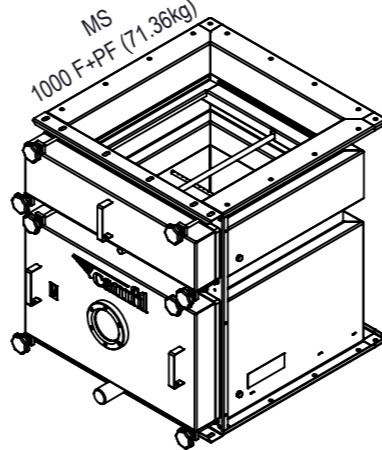
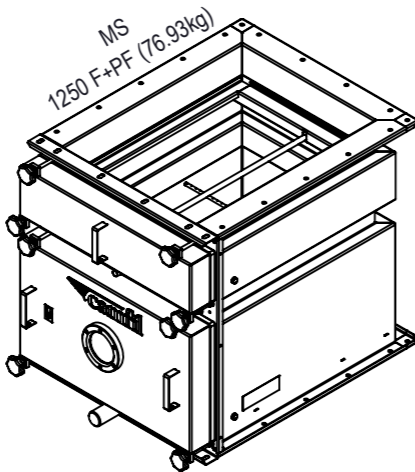
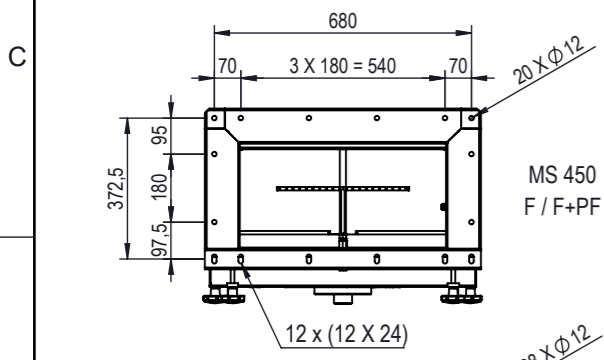
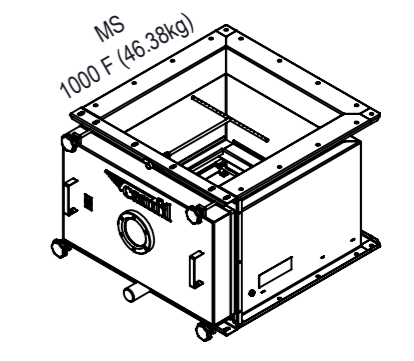
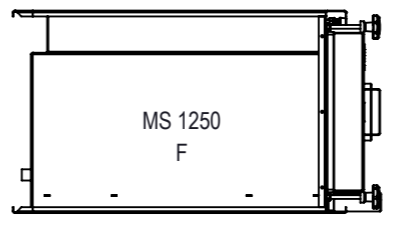
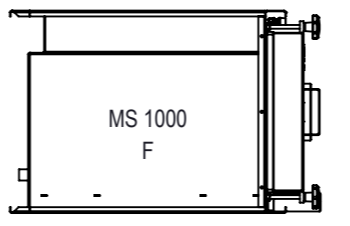
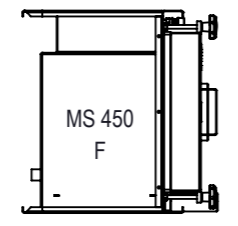
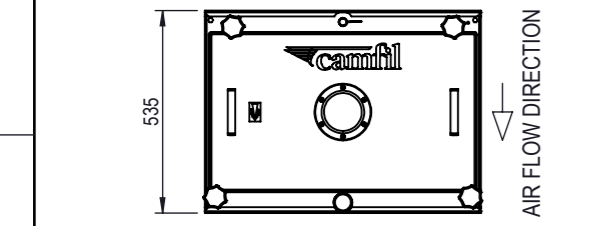
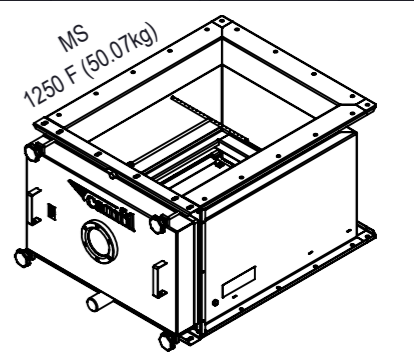
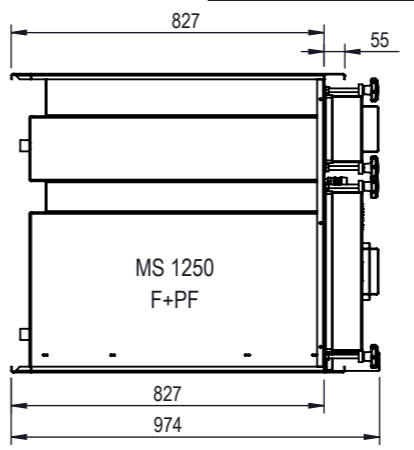
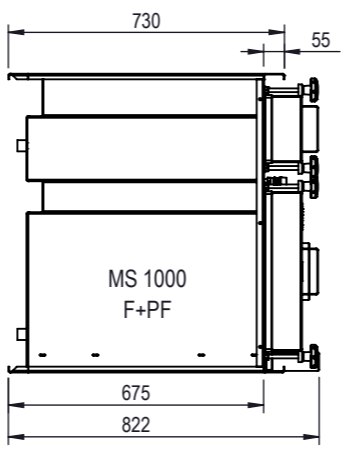
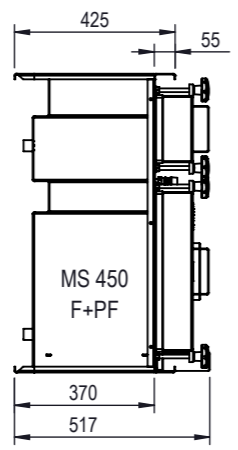
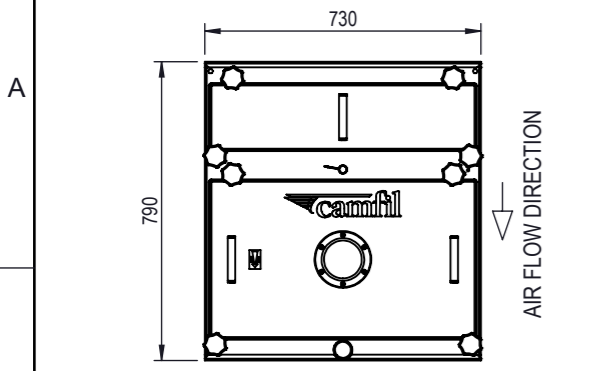


REV.	CHANGE	DATE	DESIGNED	APPROVED
F	ITEM NUMBERS CHANGED	23.08.2021	RIL	VPA



CAMSAFE MANUAL SCAN FILTER / FILTER + PREFILTER																																																						
CAMSAFE 2 STD +MS																																																						
Version	200/3P3 1F			200/3P3 1F+PF			450/3P6 1F			450/3P6 1F+PF			1000/6P6 1F			1000/6P6 1F+PF			1250/7P6 1F		1250/7P6 1F+PF																																	
Size	200/3P3 1F			200/3P3 1F+PF			450/3P6 1F			450/3P6 1F+PF			1000/6P6 1F			1000/6P6 1F+PF			1250/7P6 1F		1250/7P6 1F+PF																																	
Drawing	5849-1120-000			5849-3120-000			5849-1150-000			5849-3150-000			5849-1100-000			5849-3100-000			5849-1100-000		5849-3100-000																																	
Material / Finish	Painted *	316L *	304L *	Painted *	316L *	304L *	Painted *	316L *	304L *	Painted *	316L *	304L *	Painted *	316L *	304L *	Painted *	316L *	304L *	Painted *	316L *	304L *																																	
Item No.	1072933	1072585	1072470	1072935	1072587	1072472	1072839	1072495	1072378	1072843	1072499	1072384	1072878	1072536	1072421	1072882	1072540	1072426	1072919	1072573	1072459	1072921	1072575	1072461																														
CAMSAFE 2 STD +MS +W																																																						
Version	200/3P3 1F			200/3P3 1F+PF			450/3P6 1F			450/3P6 1F+PF			1000/6P6 1F			1000/6P6 1F+PF			1250/7P6 1F		1250/7P6 1F+PF																																	
Size	200/3P3 1F			200/3P3 1F+PF			450/3P6 1F			450/3P6 1F+PF			1000/6P6 1F			1000/6P6 1F+PF			1250/7P6 1F		1250/7P6 1F+PF																																	
Drawing	5849-1130-000			5849-3130-000			5849-1160-000			5849-3160-000			5849-1100-000			5849-3100-000			5849-1100-000		5849-3100-000																																	
Material / Finish	NOT AVAILABLE			NOT AVAILABLE			Painted *	316L *	304L *	Painted *	316L *	304L *	Painted *	316L *	304L *	Painted *	316L *	304L *	Painted *	316L *	304L *	Painted *	316L *	304L *																														
Item No.							1072841	1072497	1072380	1072845	1072501	1072384	1072880	1072538	1072423	1072884	1072542	1072428	1072920	1072574	1072460	1072922	1072576	1072462																														
CAMSAFE 2 STD +MS +DIN																																																						
Version	200/3P3 1F			200/3P3 1F+PF			450/3P6 1F			450/3P6 1F+PF			1000/6P6 1F			1000/6P6 1F+PF			1250/7P6 1F		1250/7P6 1F+PF																																	
Size	200/3P3 1F			200/3P3 1F+PF			450/3P6 1F			450/3P6 1F+PF			1000/6P6 1F			1000/6P6 1F+PF			1250/7P6 1F		1250/7P6 1F+PF																																	
Drawing	5849-1130-000			5849-3130-000			5849-1160-000			5849-3160-000			5849-1100-000			5849-3100-000			NOT AVAILABLE		NOT AVAILABLE																																	
Material / Finish	Painted *			Painted *			Painted *	316L *	304L *	Painted *	316L *	304L *	Painted *	316L *	304L *	Painted *	316L *	304L *	NOT AVAILABLE																																			
Item No.	1072934			1072586			1072471			1072936			1072588			1072473			1072840			1072496			1072379			1072844			1072500			1072383			1072879			1072537			1072422			1072883			1072541			1072427		
CAMSAFE 2 STD +MS +DIN +W																																																						
Version	200/3P3 1F			200/3P3 1F+PF			450/3P6 1F			450/3P6 1F+PF			1000/6P6 1F			1000/6P6 1F+PF			1250/7P6 1F		1250/7P6 1F+PF																																	
Size	200/3P3 1F			200/3P3 1F+PF			450/3P6 1F			450/3P6 1F+PF			1000/6P6 1F			1000/6P6 1F+PF			1250/7P6 1F		1250/7P6 1F+PF																																	
Drawing	5849-1130-000			5849-3130-000			5849-1160-000			5849-3160-000			5849-1100-000			5849-3100-000			NOT AVAILABLE		NOT AVAILABLE																																	
Material / Finish	NOT AVAILABLE			NOT AVAILABLE			Painted *	316L *	304L *	Painted *	316L *	304L *	Painted *	316L *	304L *	Painted *	316L *	304L *	NOT AVAILABLE																																			
Item No.							1072842	1072498	1072381	1072846	1072502	1072385	1072881	1072539	1072425	1072885	1072543	1072429																																				
Material	Painted *						SHEETMETAL 316L - EN10025-2 - S235JR(G2) (1.0038)						SHEETMETAL 316L - EN10088-2 - X2CrNiMo17-12-2+2B (1.4404)						SHEETMETAL 304L - EN10088 - X2CrNi18-09 (1.4307)																																			
Finish	Painted RAL 9010 SPEC025						Painted RAL 9010 SPEC025						Pickled & Glass Blasted SPEC026						Pickled & Glass Blasted SPEC026																																			

General tolerances ISO 2768 - vL unless otherwise specified	
DIMENSION	TOLERANCE
< 30	± 1
> 30 to 120	± 1,5
> 120 to 400	± 2,5
> 400 to 1000	± 4
> 1000 to 4000	± 6
> 4000	± 8
Break sharp angles 0,5 to 2	



DESCRIPTION			
CamSafe CS2 MS F / F+PF STD Scope			
PROJECT	LAST REVISION	WEIGHT	
-	23.08.2021	see drw.	
DRAWING REF.	SHEET	SIZE	SCALE
5849-0000-101	1/1	A3	1:20

NB: The copyright of this drawing remains with Camfil. Contents must not be used, copied or disclosed to third parties without prior written consent. All rights reserved.